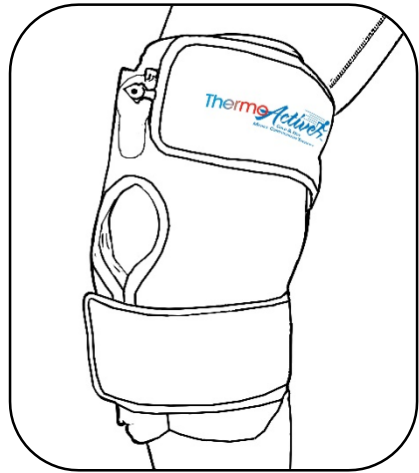




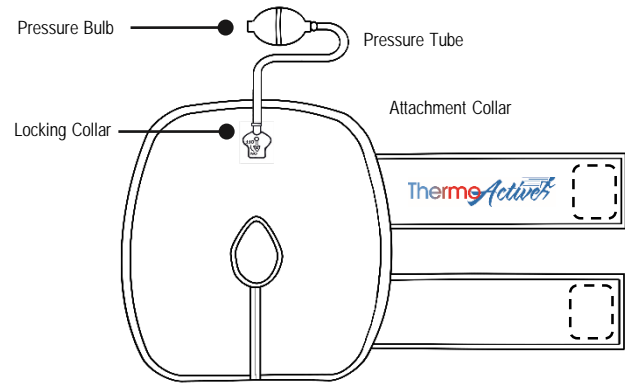
Cold & Hot Mobile Compression Therapy

Knee Support

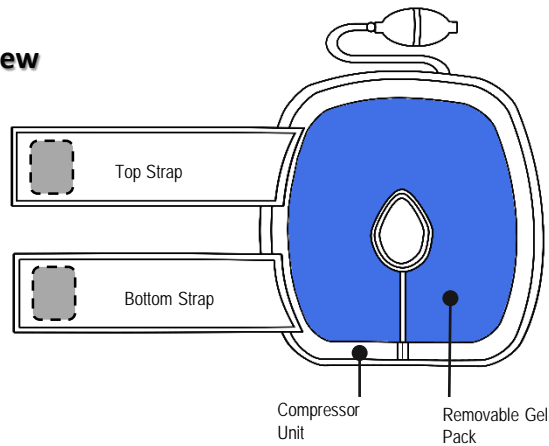


Made in Taiwan

Outer View



Inner View



DIRECTIONS FOR USE

COLD THERAPY:

Store for a minimum of 1 hour in a freezer or 2-3 hours in a refrigerator. May use an ice-cooler if you place the removable gel pack within a plastic bag to keep it dry. Ideal to lay the removable gel pack flat while cooling, but will work folded in half as well. It may be left in the freezer indefinitely until ready to use. Pack will remain flexible even at -20° F. **NOTE: We suggest storing the removable gel pack in a plastic bag while in freezer for better hygiene.**

For Intermittent Compression, keep inflated for 2-3 minutes and then deflate compressor for 1 minute. Repeat this process for a total of 20 minutes. Do not exceed 20 minutes of therapy time. Intermittent Compression should be used for post surgical therapy.

HEAT THERAPY:

* Do not apply gel pack directly to the skin. Use a towel, cloth or a sheet as an interface between the removable gel pack and the skin.

Microwave unit: Before heating, removable gel pack must be at room temperature. Place gel pack with black hook (rough) side down into the microwave on a paper towel, and heat for 15 seconds on one side, then flip over and heat for an additional 15 seconds on the other side. Use caution as the removable gel pack may be hot.

- After heating, wait one (1) minute before applying to the knee. The product should feel WARM to the touch, NOT HOT. If the product is not warm enough, heat in 10 second increments, while rotating the product each time until desired temperature is reached. Some microwave ovens heat unevenly and can develop "hot spots" on the product and become too hot. Before applying the product to the skin, massage the gel pack to evenly disperse the heated gel inside.
- **NOTE: Smaller gel packs may take less time to heat than large removable gel packs.**
- This instruction is based on a 1300 WATT microwave. All microwaves vary in power wattage and heating times may vary. Be cautious and adjust time accordingly. **DO NOT OVERHEAT.**
- Always use caution when heating.
- Due to the nature of the gel, it may only feel warm to the touch, but if the product has been overheated, too much heat may be transferred to the body and can cause burns.
- When microwaving, make certain that the removable gel pack is laying flat without any objects on top of it.

COMPRESSION:

- Simple, user adjustable compression, ensures total and uniform contact on soft tissue and around bony areas.
- Compression provides deep and faster cold or hot therapy.

FITTING INSTRUCTIONS:

- 1) Before use, lay on a flat surface and flatten out the gel pack the gel is evenly dispersed and uniform throughout the gel chambers.
- 2) Use the hook panels on the 'Black' (back) surface of the gel pack to attach the pack to the device. The removable gel pack can be placed in 2 positions.
 - a) For Lower Knee: Position the seam of the removable gel pack towards the top of the support – towards the thigh.
 - b) For Upper Knee: Position the seam of the removable gel pack towards the bottom of the support – towards the feet.
- 3) Turn the Valve CLOCKWISE to the "ON" position. Next, securely attach the Pressure Tube to the Tube Connection opening on the support. Then tighten the tube connection by turning the Locking Collar CLOCKWISE.
- 4) Position the Knee Support, with the knee cap centered in the aperture provided. Blue side of the removable gel pack should face the skin. For sensitive skin, use a towel, cloth as an interface, between the removable gel pack and the skin. The valve should be facing towards you so it is easy to attach and remove. Wrap the top strap around the thigh and attach the 'Hook' to the soft outer 'Loop' surface material. Next, wrap the bottom strap below the knee and attach the 'Hook' to the soft outer 'Loop' surface material. Secure the knee support by checking and adjusting both straps.

NOTE: the support should be snug, but not too tight, as it may restrict blood circulation.

- 5) With the valve in the "ON" position:
 - a) Apply compression by squeezing the pressure bulb 5 times. Wait for 3 seconds.
 - b) If more compression is needed, squeeze the pressure bulb 2 more times. Wait 3 seconds. Repeat until appropriate pressure is achieved. **CAUTION: Do not over pressurize the treated area as it may restrict blood circulation.**
- 6) If you need to reduce the pressure, press the release valve on the pressure bulb until desired amount of pressure is achieved. If too much pressure is released, squeeze the pressure bulb 2 more times and wait 2 seconds. If more pressure is needed, repeat until desired pressure is achieved.
- 7) When desired pressure is achieved, turn the valve COUNTERCLOCKWISE to the "OFF" position to lock air/compression in.
- 8) For better mobility, pressure bulb and pressure tube may be removed by unscrewing the locking collar COUNTERCLOCKWISE.

STORAGE:

- If pressure bulb and Tube are removed, keep in a safe place.
- When finished using the Cold and Hot Compression Therapy Support, fasten the pressure bulb and tube to the support for safe keeping.
- Once support is removed, turn valve to the 'ON' position to release the air inside the support. The removable gel pack fits best when applied to a support that has minimal air pressure inside.
- If planning to use for heat therapy, make certain that gel pack is stored laying flat without any objects on top of it.
- If planning to use for cold therapy, make sure that gel pack is stored in the freezer in a plastic bag, laying flat.

CLEANING INSTRUCTIONS:

Removable Gel Pack: Hand wash in cold water and mild soap. Hang up to dry, or pat dry with towel.
Support: Wipe the support down with a damp (not wet) cloth using mild soap. Allow the product to fully air dry before continuing use.

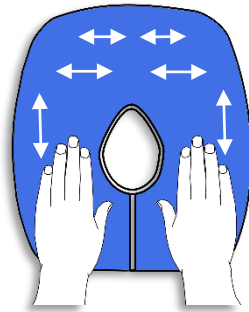
CAUTION: Clean the removable gel pack and support separately.

CAUTION:

- Consult your physician before using this product.
- Only use this product for 20 MINUTES at a time on the affected area.
- Do not use this removable gel product over open wounds or on sensitive skin.
- Do not use where there is poor circulation.
- If at any time soreness, rash or an increase in pain occurs, discontinue use and consult your physician.
- Only use this product for its intended purposes as described in the manual.
- Do not use this product while using transdermal drug delivery skin patches, skin creams, balms, liniments or lotions.
- Individuals using pacemakers or insulin pumps should NEVER use this product.
- Do not use during pregnancy.
- Do not use HEATED removable gel pack on parts of body where there is swelling, redness or immediately after injury. COLD therapy is recommended for these conditions.
- If removable gel pack has been torn, overheated or has been compromised (and is leaking) discard immediately.
- KEEP OUT OF REACH OF CHILDREN.
- PRODUCT IS LATEX FREE.
- DO NOT APPLY GEL PACK DIRECTLY TO THE SKIN. USE A TOWEL, CLOTH OR SHEET AS AN INTERFACE BETWEEN THE REMOVEALBE GEL PACK AND SKIN.

STEP 1

Before use, lay on a flat surface and flatten out the gel pack the gel is evenly dispersed and uniform throughout the gel chambers.

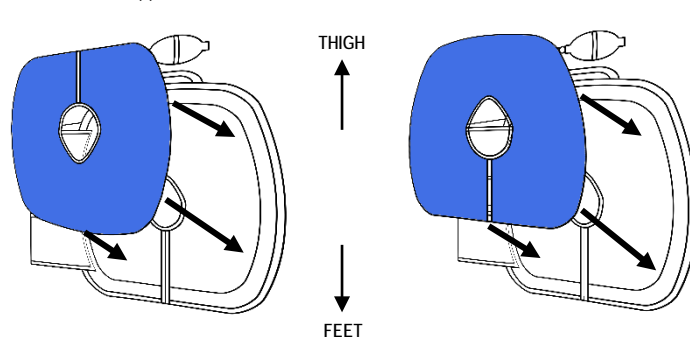


STEP 2

Use the hook panels on the 'Black' (back) surface of the gel pack to attach the pack to the device. The removable gel pack can be placed in 2 positions.

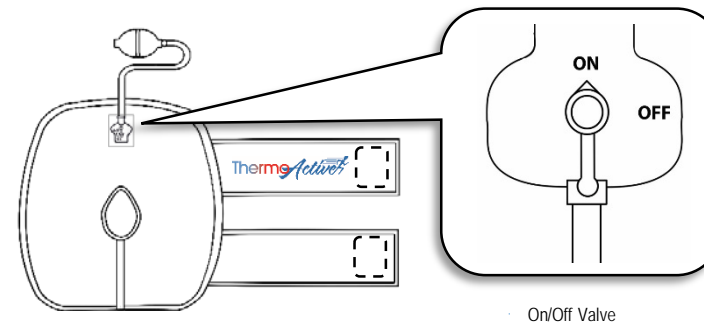
- a) For Lower Knee: Position the seam of the removable gel pack towards the top of the support – towards the thigh.
- b) For Upper Knee: Position the seam of the removable gel pack towards the bottom of the support – towards the feet.

Lower Knee: Seam on opposite side.
 Upper Knee: Seam to seam.



STEP 3

Turn the Valve to the "ON" position. Securely attach the Pressure Tube to the Tube Connection opening on the support. Then tighten the tube connection by turning the Locking Collar CLOCKWISE.



STEP 4

Position the Knee Support, with the knee cap centered in the aperture provided. Blue side of removable gel pack should face the skin. For sensitive skin, use a towel, cloth between the removable gel pack and the skin. Valve should be facing towards you so it is easy to attach and remove. Wrap the top strap around the thigh and attach the 'Hook' to the soft outer 'Loop' surface material. Next, wrap the bottom strap below the knee and attach the 'Hook' to the soft outer 'Loop' surface material. Secure the knee support by checking and adjusting both straps.

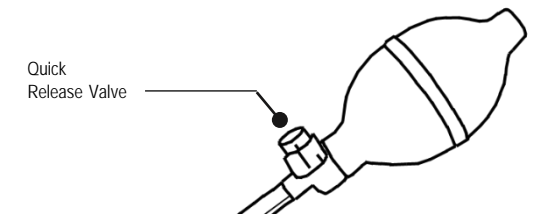


STEP 5

- With the valve in the "ON" position:
- a) Apply compression by squeezing the pressure bulb 5 times. Wait for 3 seconds.
 - b) If more compression is needed, squeeze the pressure bulb 2 more times. Wait 3 seconds. Repeat until appropriate pressure is achieved.

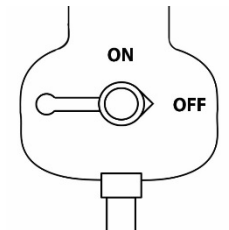
STEP 6

If you need to reduce the pressure, press the release valve on the pressure bulb until desired amount of pressure is achieved. If too much pressure is released, squeeze the pressure bulb 2 more times and wait 2 seconds. If more pressure is needed, repeat until desired pressure is achieved.



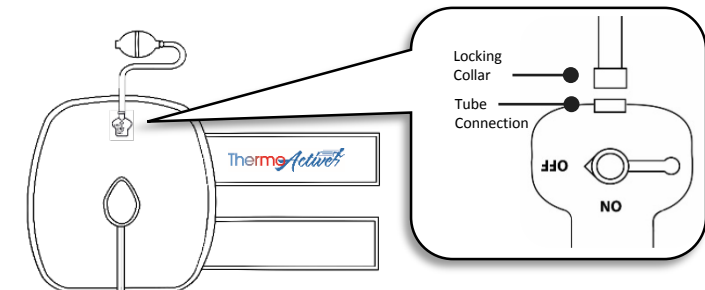
STEP 7

When desired pressure is achieved, turn the valve COUNTERCLOCKWISE to the "OFF" position to lock air/compression in.



STEP 8

For better mobility, pressure bulb and pressure tube may be removed by unscrewing the locking collar COUNTERCLOCKWISE.



CAUTION

PLACE FABRIC INTERFACE BETWEEN THE GEL PACK AND THE SKIN, PRIOR TO USING HOT OR COLD THERAPY.

POSSIBLE INTERFACES INCLUDE:

- A light towel
- A cloth
- A sheet / pillowcase (cut to size)
- 6 layers of paper towel
- Stockinette

Either wrap the interface around the gel pack prior to attaching the gel pack to the support or hold the interface on the skin while wrapping the support around the body.

CAUTION:

- Consult your physician before using this product.
- Only use this product for 20 minutes at a time on the affected area.
- Do not use where there is poor circulation.
- If at any time soreness, rash, or an increase in pain occurs, discontinue use and consult your physician.
- Only use this product for its intended purposes as described in the manual. Do not use this product while using transdermal drug delivery skin patches, skin creams, balms, liniments or lotions.
- Individuals using pace makers or insulin pumps should NEVER use this product.
- Do not use during pregnancy.
- Do not use heated removable gel packs on parts of body where there is swelling, redness or immediately after injury. Cold therapy is recommended for these conditions.
- If removable gel pack has been torn, overheated or has been compromised (and is leaking) discard immediately.
- Keep out of reach of children.

Trademark Notice

The contents of all materials available in this brochure are copyrighted by Polygel, LLC unless otherwise indicated. All rights are reserved by Polygel, LLC, and content may not be reproduced, disseminated, published or transferred in any form or by any means, except with the prior written permission of Polygel, LLC or as indicated below. Copyright infringement is a violation of federal law subject to criminal and civil penalties.

Legal Notice and Disclaimer

Polygel, LLC (including its employees and agents) assumes no responsibility for consequences resulting from the use of the information herein, or in any respect the content of such information, including (but not limited to) errors or omissions, the accuracy or reasonableness of factual or scientific assumptions, studies or conclusions, the defamatory nature of statements, ownership of copyright or other intellectual property rights, and the violation of property, privacy or personal rights of others. Polygel, LLC is not responsible for and expressly disclaims, all liability for, damages of any kind arising out of use, reference to, or reliance on such information. No guarantees or warranties, including (but not limited to) any express or implied warranties of merchantability or fitness for a particular use of purpose, are made by Polygel, LLC with respect to such information.



30 Leslie Court, Whippany, NJ 07981
United States of America

www.polygel.com

Phone: 973.884.8995
Fax: 973.884.1331
Toll Free: 1.866.438.2297

© 2014 PolyGel, LLC All Rights Reserved

Manufactured and printed in the U.S.A. Patent
PolyGel is a registered trademark of PolyGel